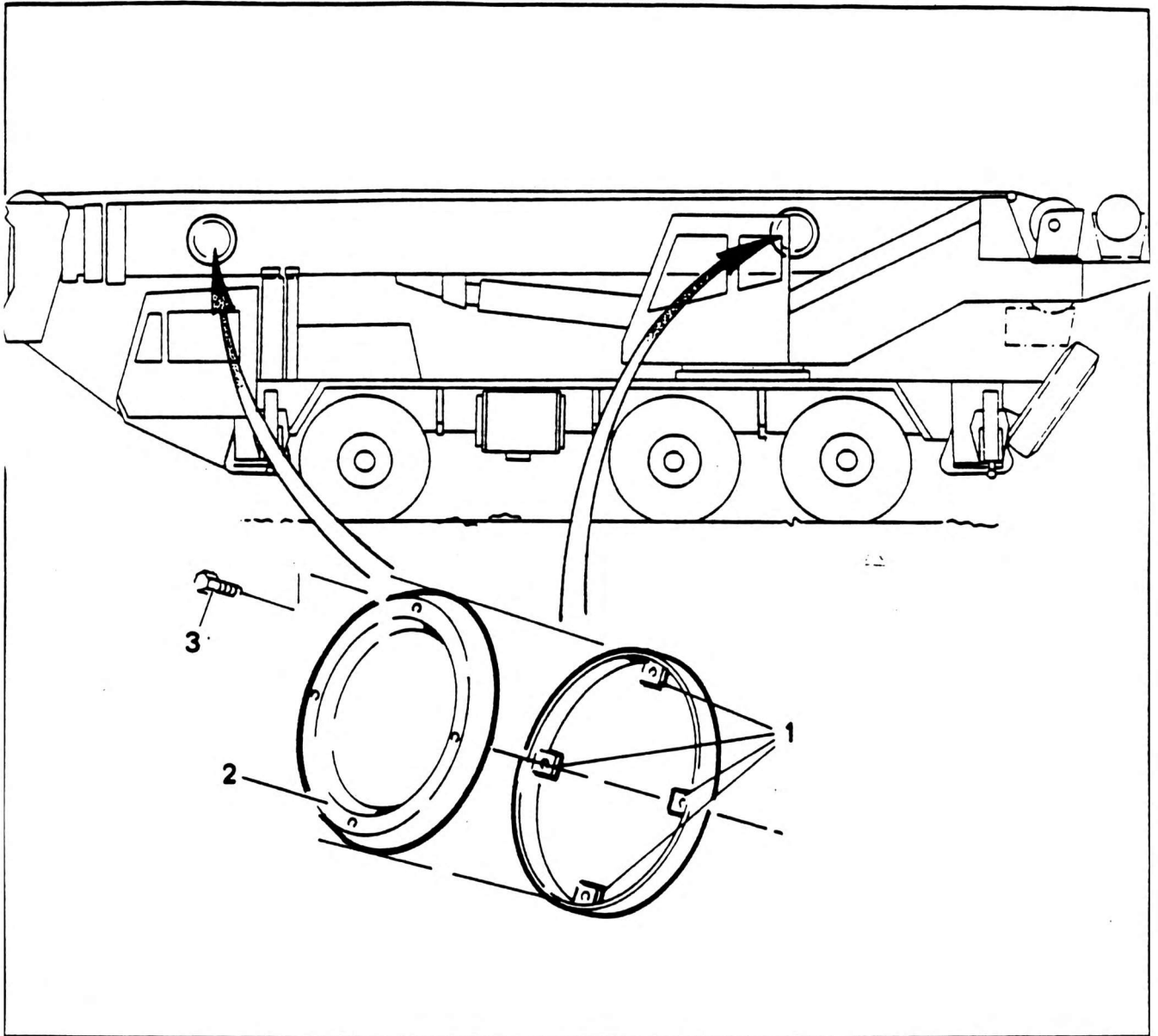


COVER INSTALLATION



NO.	PART NO.	QTY.	DESCRIPTION	NO.	PART NO.	QTY.	DESCRIPTION
-----	----------	------	-------------	-----	----------	------	-------------

2	7-258-990088	2	Cover
3	7-791-141250	8	Screw